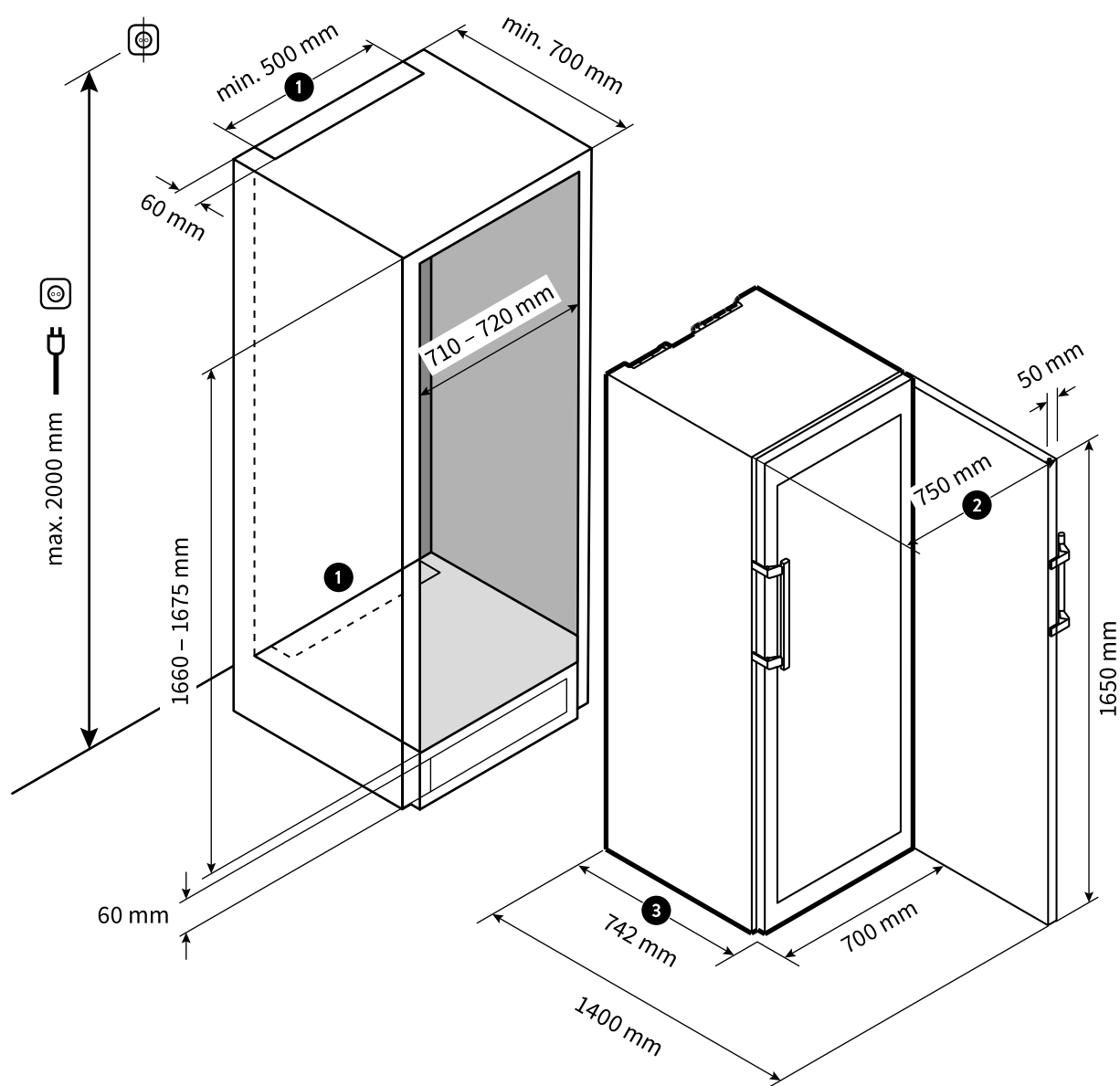


INSTALLATION DRAWING

DX 1000 PREMIUM S

Single unit



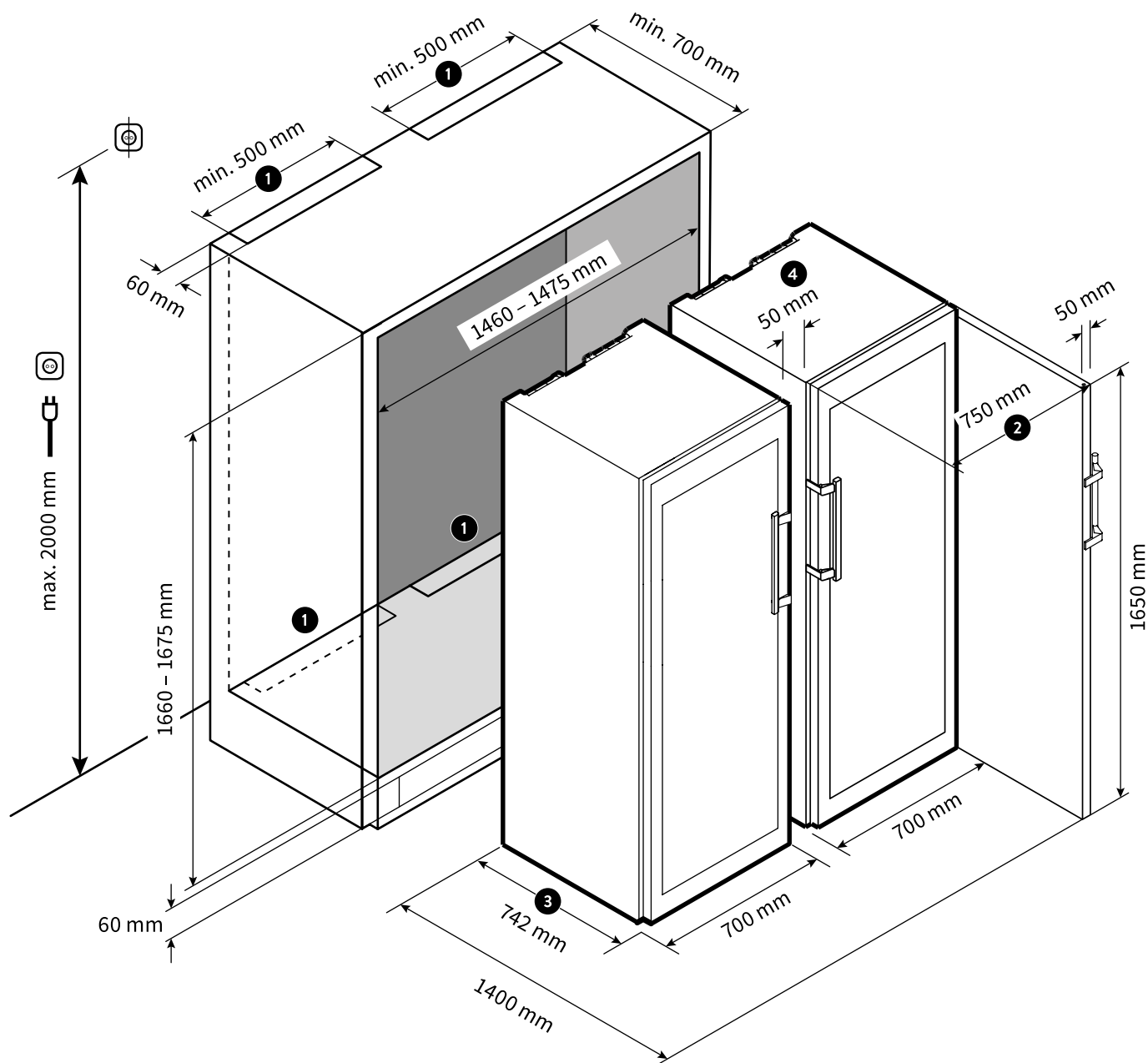
- ❶ Ventilation shaft is mandatory. **Minimum size: 300cm²**.
Also possible on the side or on the back wall.
- ❷ Overall dimensions (width) with the door open including handle: **750mm**
- ❸ Overall dimensions (depth) body + closed door (protruding): **742mm**



INSTALLATION DRAWING

DX 1000 PREMIUM S

Side by Side



- ❶ Ventilation shaft is mandatory. **Minimum size: 300cm²**.
Also possible on the side or on the back wall.
- ❷ Overall dimensions (width) with the door open including handle: **750mm**
- ❸ Overall dimensions (depth) body + closed door (protruding): **742mm**
- ❹ Panelling of the intermediate gap with DRY AGER® stainless steel cover possible (DX0030).

