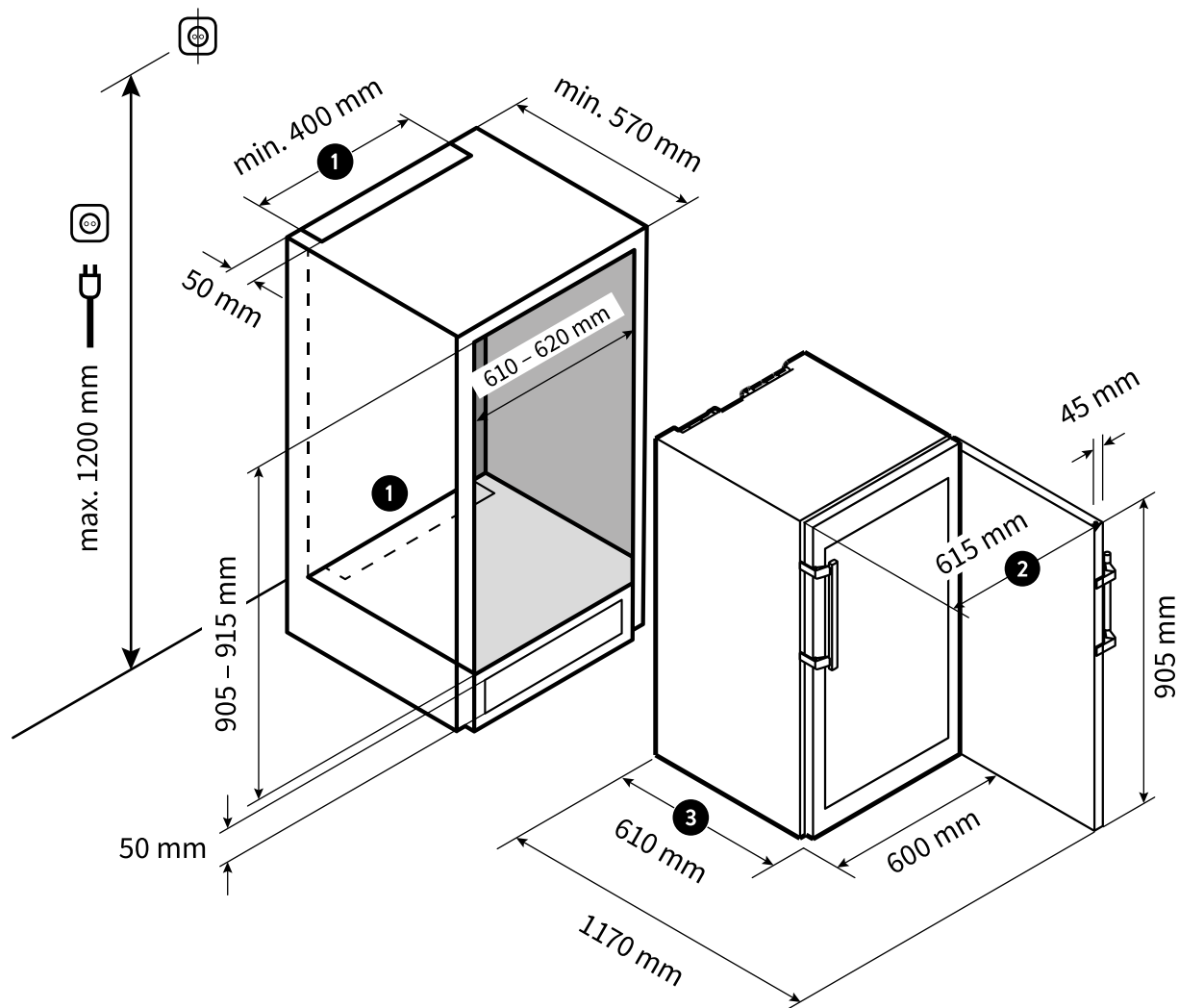


INSTALLATION DRAWING

DX 500 PREMIUM S

Single unit



❶ Ventilation shaft is mandatory. **Minimum size: 200cm²**.
 Also possible on the side or on the back wall.

❷ Overall dimensions (width) with the door open
 including handle: **615mm**

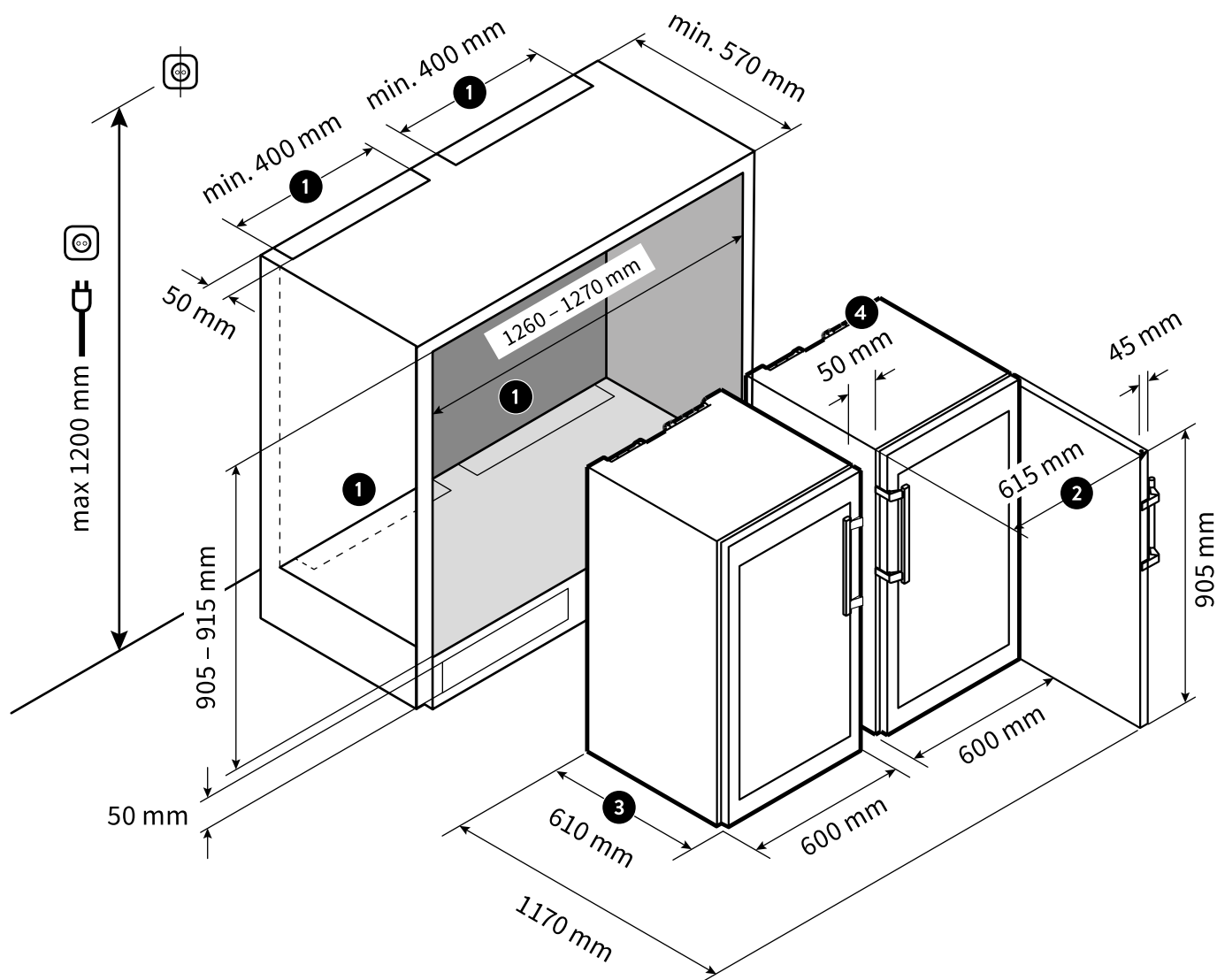
❸ Overall dimensions (depth) body + closed door (protruding): **610mm**



INSTALLATION DRAWING

DX 500 PREMIUM S

Side by Side



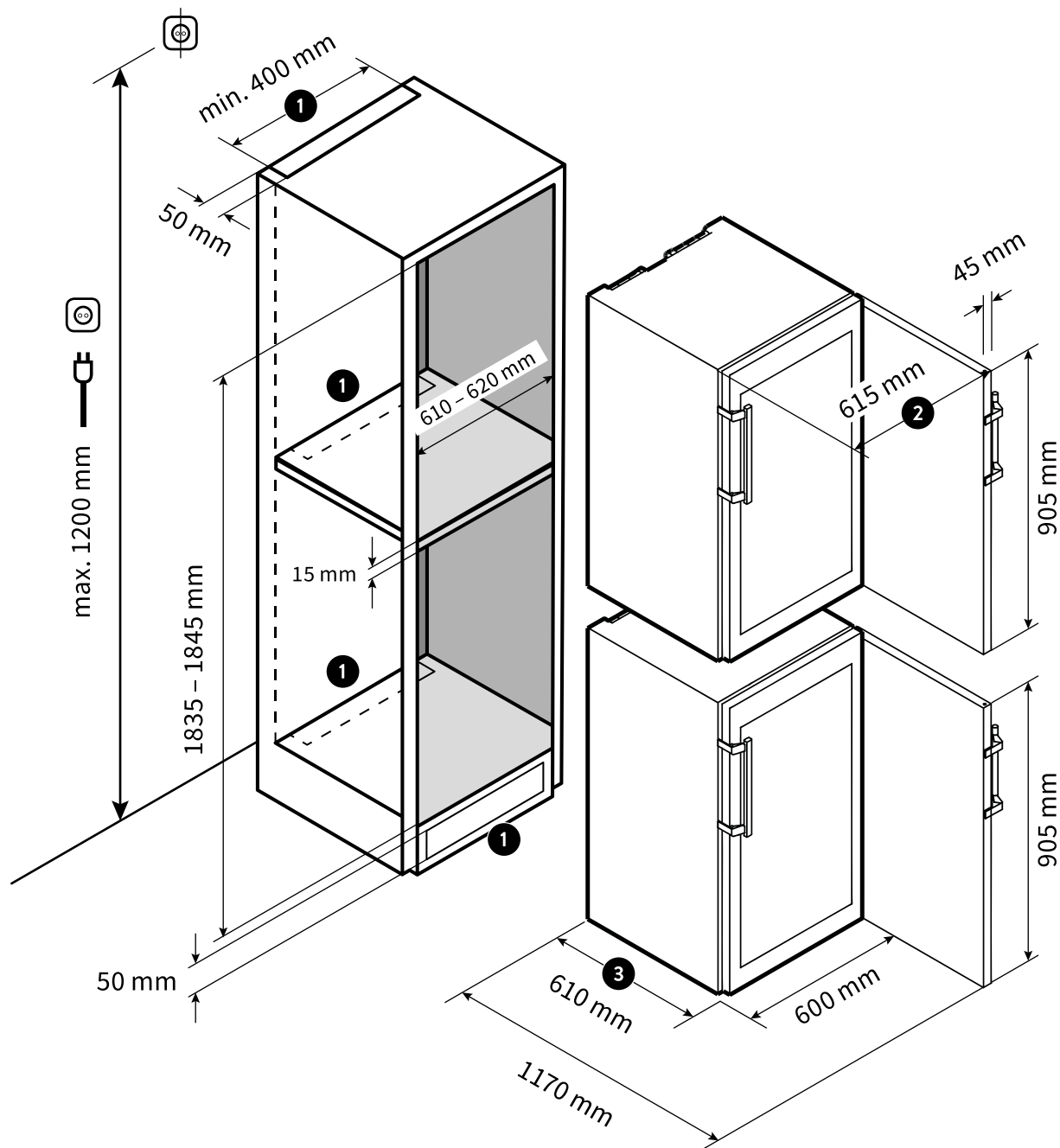
- ❶ Ventilation shaft is mandatory. **Minimum size: 200cm²**.
Also possible on the side or on the back wall.
- ❷ Overall dimensions (width) with the door open including handle: **615mm**
- ❸ Overall dimensions (depth) body + closed door (protruding): **610mm**
- ❹ Panelling of the intermediate gap with DRY AGER® stainless steel cover possible (DX0031).



INSTALLATION DRAWING

DX 500 PREMIUM S

On Top



❶ Ventilation shaft is mandatory. **Minimum size: 200cm^2 .**
 Also possible on the side or on the back wall.

❷ Overall dimensions (width) with the door open including handle: **615mm**

❸ Overall dimensions (depth) body + closed door (protruding): **610mm**

